

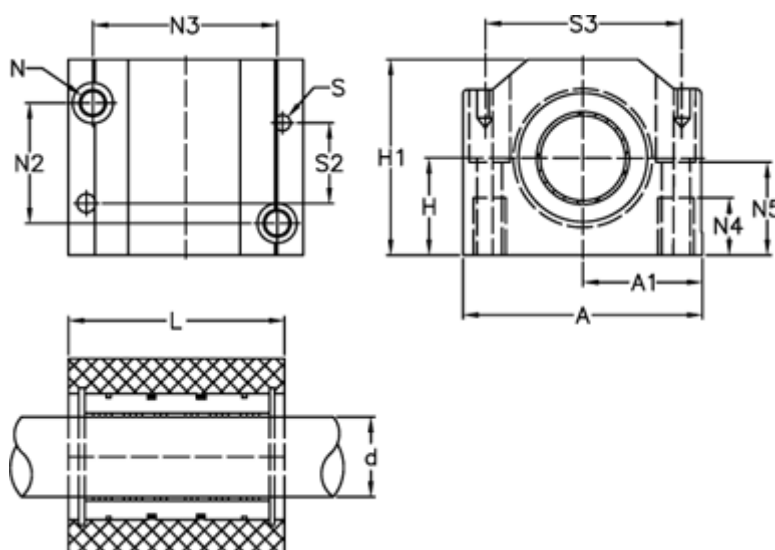
Data Sheet



Article number: 50300101

Description: Closed pillow block PMC 10
FM standard bearing included

Measures



A = 40	N4 = 11
A1 = 20	N5 = 15
H = 16	S = 4
H1 = 31.5	S2 = 29
L = 36	S3 = 31
N = M5 x 0,8	Static load (kg) = 610
N2 = 20.149999999999999	Weight (kg) = 0.095
N3 = 29.15	